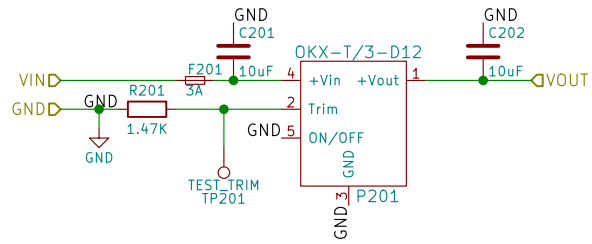


Sheet: /		
File: pisupply-module-control.sch		
Title:		
Size: A4	Date:	Rev:
KiCad E.D.A. kicad 4.0.3-stable		Id: 1/4



Sheet: /Power Supply/
 File: power.sch

Title:

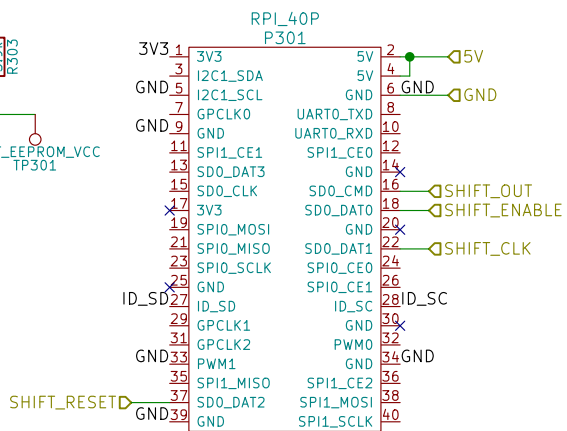
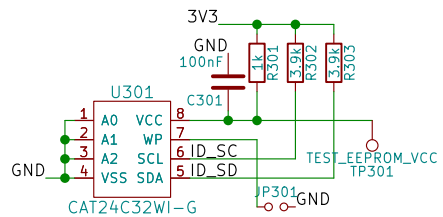
Size: A4

Date:

KiCad E.D.A. kicad 4.0.3-stable

Rev:

Id: 2/4



Sheet: /RaspberryPi Hat/
File: rpi_hat.sch

Title:

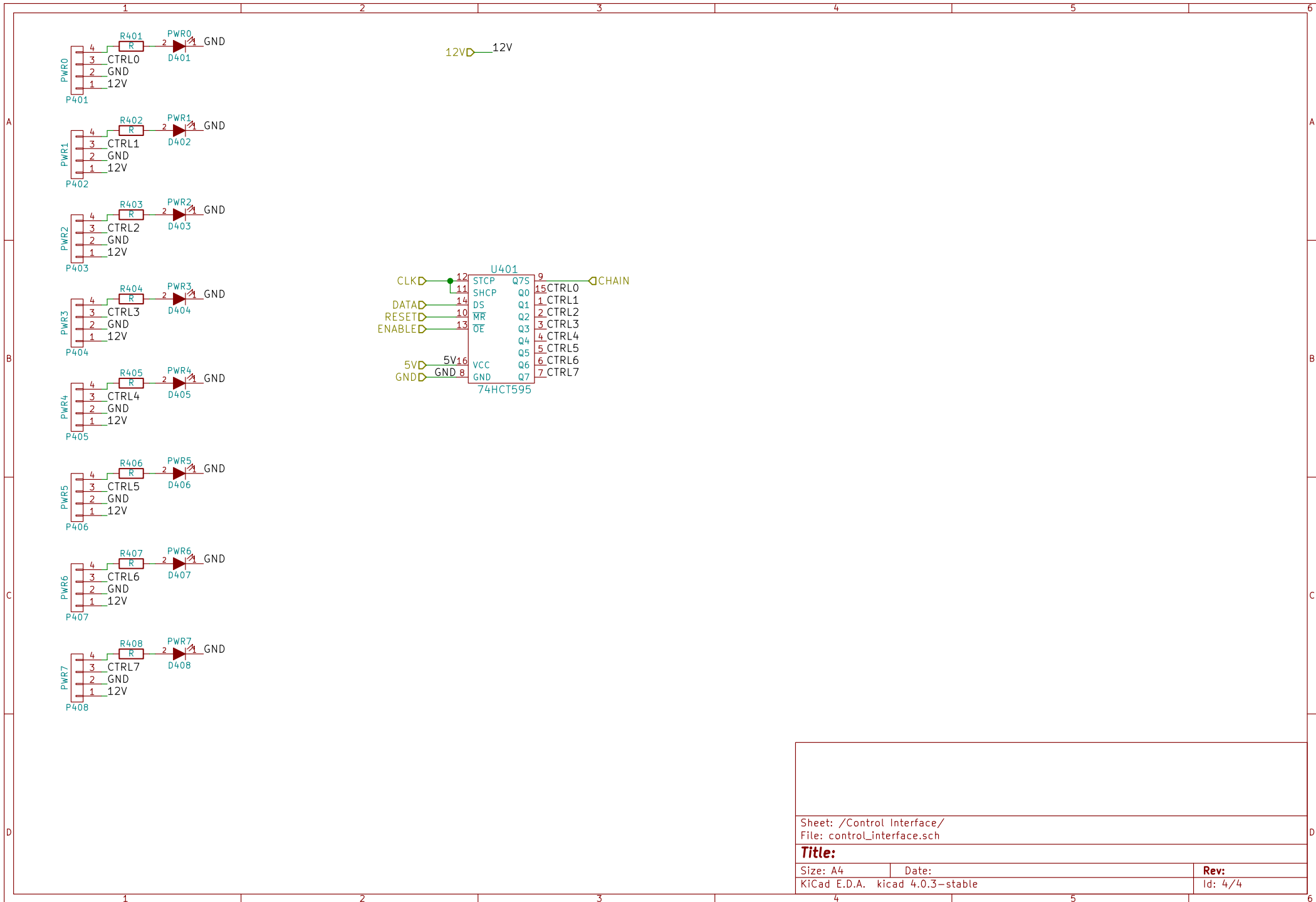
Size: A4

Date:

KiCad E.D.A. kicad 4.0.3-stable

Rev:

Id: 3/4



Sheet: /Control Interface/		
File: control_interface.sch		
Title:		
Size: A4	Date:	Rev:
KiCad E.D.A. kicad 4.0.3-stable		Id: 4/4